

Yngri

NIVA
STROLLER



NO / SE / ENG

Everyday products for young explorers.
Designed by Scandinavians.



ENG IMPORTANT Keep this instructions for future reference.

ENG

!WARNINGS

Failure to follow these warnings and the assembly instructions could result in serious injury or death.

- **"WARNING: Never leave child unattended,"**
 - **"WARNING: Always use the restraint system."**
 - **"WARNING: It may be dangerous to leave your child unattended."**
 - **"WARNING: This product is not suitable for running or skating."**
 - **"WARNING: To avoid injury ensure that your child is kept away when unfolding and folding this product."**
 - **"WARNING: Use the stroller with only one child at a time."**
 - **"WARNING: The vehicles shall be used only for up one child."**
 - **"WARNING: Any loads attached to the handle affects the stability of the pushchair."**
 - **"WARNING: Ensure that all the locking devices are engaged before use."**
 - **"WARNING: Always use the crotch strap in combination with waist belt."**
 - **"WARNING: Do not let the child play with this product."**
 - **"WARNING: Store the item away from children when it is not in use."**
 - **"WARNING: This seat is not suitable for children under 6 months."**
-
- **PLEASE SAVE OWNER'S MANUAL FOR FUTURE USE.**
 - **ADULT ASSEMBLY REQUIRED.**
 - **NEVER LEAVE CHILD UNATTENDED.**
 - **Always keep child in view while in stroller.**
 - **AVOID SERIOUS INJURY** from falling or sliding out. Always use seat belt. After fastening buckles, adjust belt to get a snug fit around your child.
 - **CHILD MAY SLIP INTO LEG OPENINGS AND STRANGLE.** Never use seat in a reclined carriage position unless the straps are fastened to close off the leg opening.
 - **AVOID FINGER ENTRAPMENT:** Use care when folding and unfolding the stroller. Be certain the stroller is fully erected and latched before allowing your child near the stroller.
 - **NEVER USE STROLLER ON STAIRS** or escalators. You may suddenly lose control of the stroller or your child may fall out. Also, use extra care when going up or down a step or curb.
 - **AVIOD STRANGULATION. DO NOT** place items with a string around your child's neck, suspend strings from this product, or attach strings toys.
 - **USE OF THE STROLLER** with a child weighing more than 22 kg will cause excessive wear and stress on the stroller.
 - **Do not place objects exceeding 0.45 kg** in weight in the canopy pocket.
 - **TO AVOID BURNS,** never put hot liquids in the parent's tray.
 - **TO PREVENT A HAZARDOUS, UNSTABLE CONDITION,** never place purses, shopping bags, parcels or accessory items on the handle or canopy.
 - **TO PREVENT A HAZARDOUS, UNSTABLE CONDITION,** do not place more than 2 kg in the storage basket.
 - **DO NOT** use storage basket as a child carrier.
 - **DO NOT ALLOW** your child to stand on the basket. It may collapse and cause injury.
 - **NEVER PLACE** child in the stroller with head toward front of stroller.
 - **NEVER ALLOW YOUR STROLLER** to be used as a toy.
 - **DISCONTINUE USING YOUR STROLLER** should it become damaged or broken.
 - This vehicle is intended for use for children aged between 6 and 36 months of age, and weighing up to 22kg.
 - **Accessories which are not approved by the manufacturer shall not be used.**
 - **Only replacement parts supplied or recommended by the manufacturer/distributor shall be used.**
 - **ACCESSORY:** The carry cot shall not be used as soon as the child is able to sit by himself, roll over and can push itself up on its hands and knees. Maximum weight of the child : 9kg.



CARE AND MAINTENANCE:

The cleaning and maintenance of this product must be carried out on a regular basis by the user.
The cleaning and maintenance of the stroller must only be carried out by an adult.

CLEANING:

The cover is not removable.

Clean the fabric parts with a damp sponge and neutral detergent.

Please refer to the product's care label.

Routinely wipe clean plastic parts with a soft damp cloth.

Always dry the metal parts to prevent the formation of rust if the stroller has come into contact with water.

MAINTENANCE:

Lubricate the moving parts only if necessary, with a light application of a silicone based lubricant.

Routinely check the condition of the wheels and all moving parts.

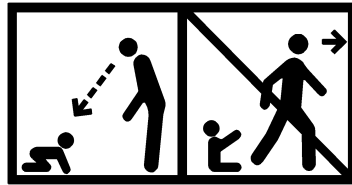
Keep them free from dust, dirt or sand.

To avoid friction, that may prevent the correct use of the stroller, ensure that all the movable plastic parts located along the keep the stroller in a dry place.

This product complies with EN 1888 2:2018+A1:2022



max 22 kg

**FOR CONTACT**

Designed in Scandinavia – Made in China for BARNAS HUS NORGE
AS Helsfyr Atrium, Innspurten 15, 0663 Oslo, NORWAY

STROLLER

ENG



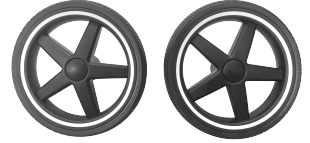
PARTS



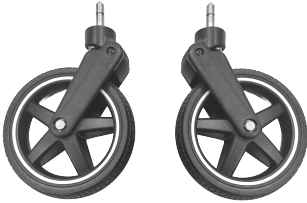
CHASIS
1 SET



FRONT BUMPER
1 PC



REAR WHEELS
1 SET



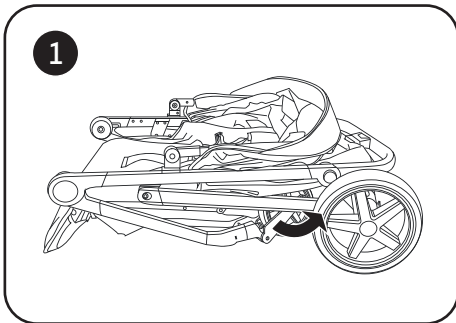
FRONT WHEELS
1 SET



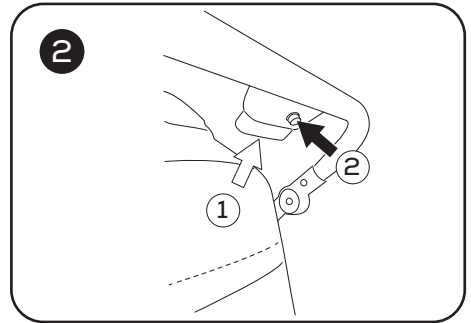
WRIST STRAP
1 PC

ASSEMBLY TO THE STROLLER

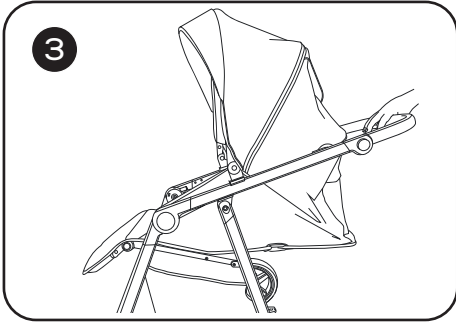
UNFOLD



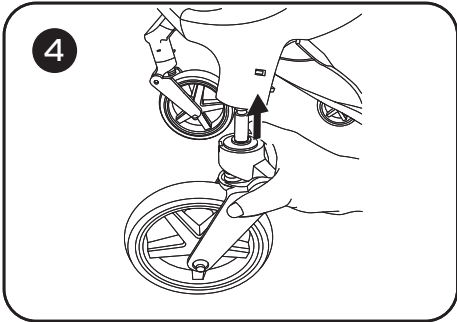
Unhook the transportation lock.



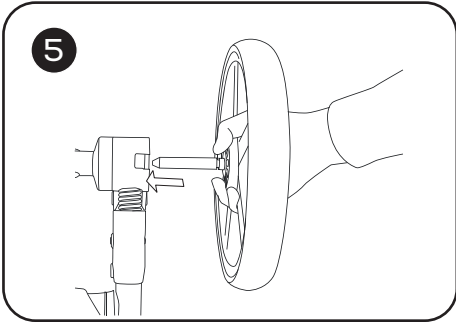
Press the release button spontaneously.



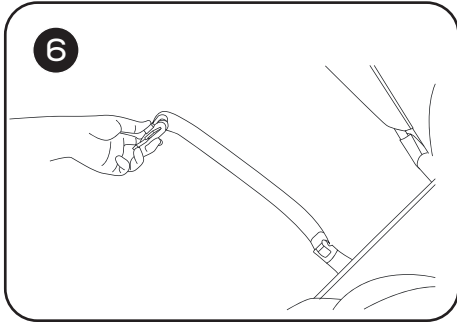
Lift the frame until stroller is fully unfold.



Insert the front wheels.



Insert the rear wheels.



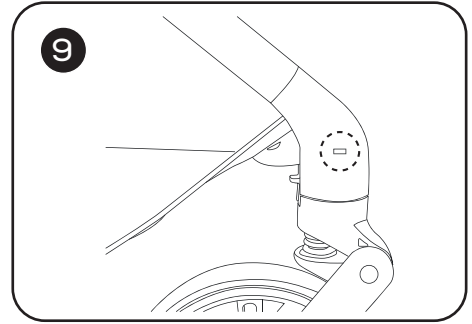
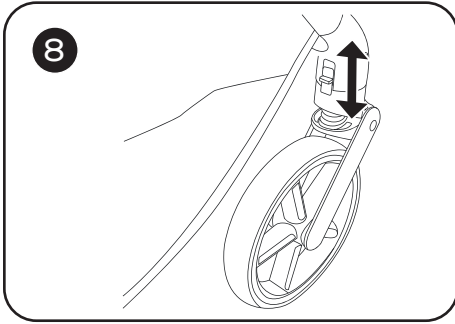
Attach the front bumper bar.



7

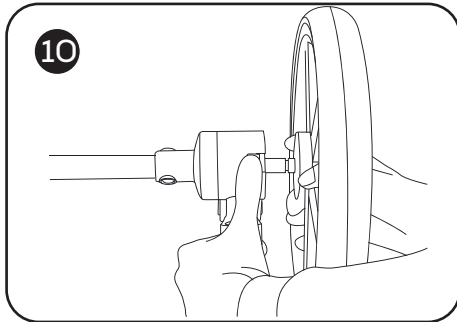
FRONT WHEEL SWIVEL & REMOVE

ENG

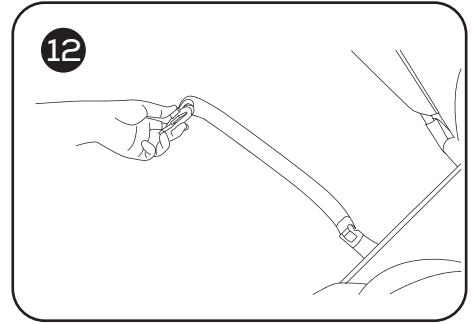
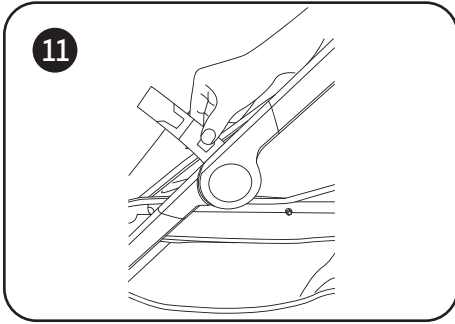


Use pin or any sharpen object to press the wheel release.

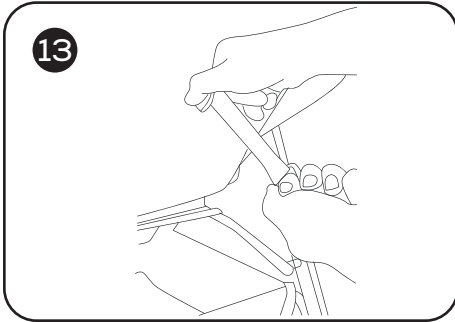
REMOVE THE REAR WHEEL



Press the release button and pull off the rear wheels.

REMOVE THE BUMPER BAR

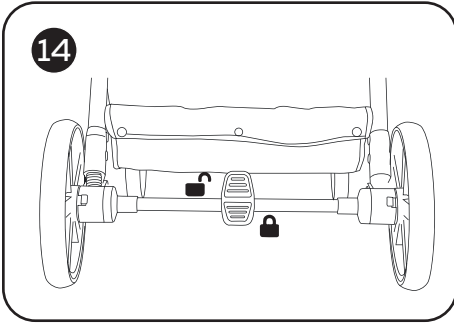
Press the clips on each side and pull off the bumper bar.

ADJUST THE BACKREST

Holding the adjuster. Then pulling up or down to the suitable position.

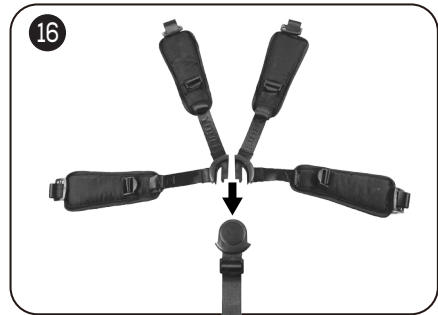
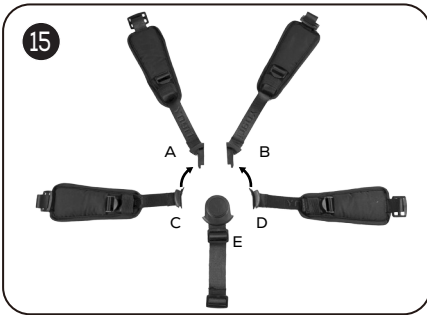
WARNING! Do not adjust the backrest while your baby sitting inside the stroller.
WARNING! Do not use the upright position until your baby can sit up unaided.

APPLY THE BRAKE

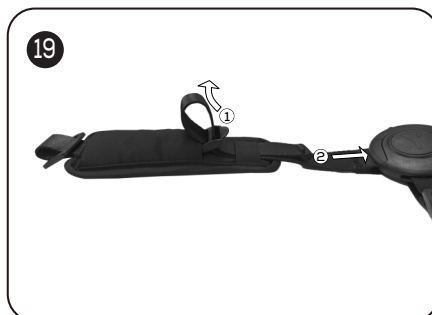


Step backward for stop, forward for moving.

USAGE OF SAFETY BELT



TO LOOSE THE SAFETY BELT



TO TIGHTEN THE SAFETY BELT



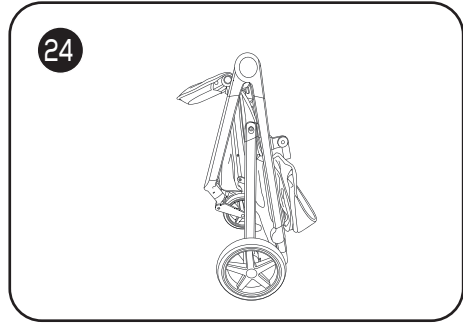
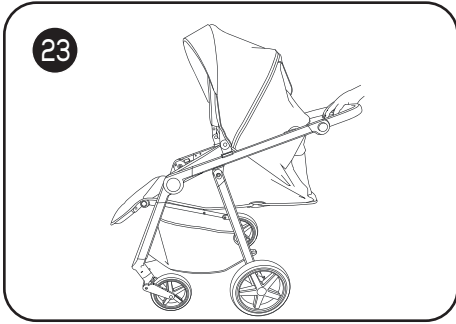
USAGE OF SAFETY WRIST STRAP



WARNING! Wear the safety wrist strap at all time when using the stroller.

FOLDING THE STROLLER

ENG





Yngri

DESIGNED BY SCANDINAVIANS

Made in China

BARNAS HUS NORGE AS

Helsfyr Atrium, Innspurten 15, 0663 Oslo, NORWAY

www.yngri.no

